

CAUTION

Please place the **Yo-Yo Desk GO** on a surface suitable to hold the entire base of the **Yo-Yo Desk GO** otherwise you may cause damage when operating the **Yo-Yo Desk GO**.

CAUTION

When attaching the **Monitor Arm**, avoid excessive screwdriver force. Excessive force may prevent or restrict the up/down movement of your monitor.

CAUTION

Please tighten firmly. If not, **Worktop** may drop down when pressure is applied. Always test the **Up/Down Lever** by pressing inwards once it has been attached.

CAUTION

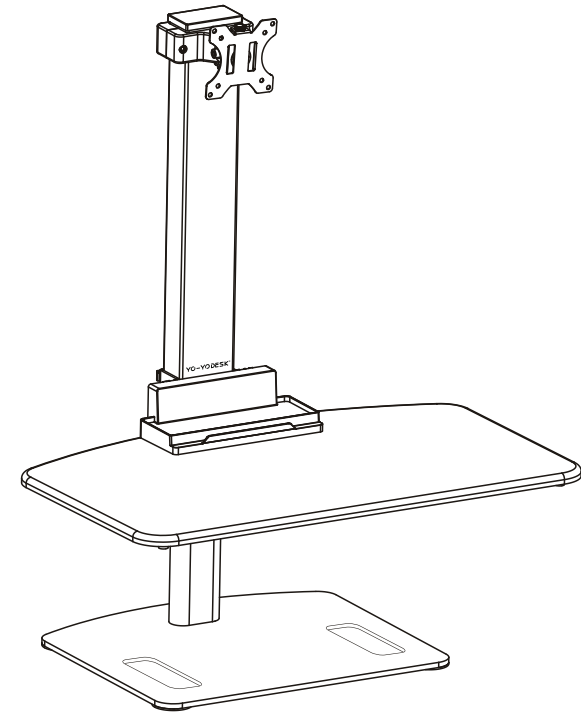
Avoid excessive screwdriver force as this may restrict full swivel, tilt and rotation.

CAUTION

Avoid pushing down from the front of the **Worktop**. Always place hand to the back to maintain optimal stability when moving up/down.

YO-YODESK® GO₁

Assembly Manual

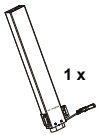
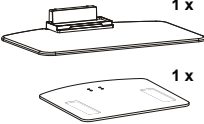
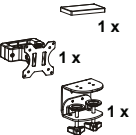

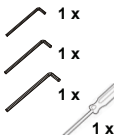


CAUTION

We highly recommend **Yo-YoDesk GO** is assembled by two people together. Please first read all instructions carefully before assembling. Retain this manual for future reference. The specifications may vary slightly from the illustrations and are subject to change without notice.

ASSEMBLY KIT

The following items are included in your **Yo-YoDesk GO**, please check you have each of them. If there are any tools or components missing, please contact customer services on +44 333 22 00 375.

A	B	C	D	E
1 x Monitor Pole	1 x Worktop 1 x Base Plate	1 x Top Cap 1 x Monitor Arm 1 x Clamp	27 x Screws 8 x Screw Collars	3 x Allen Keys 1 x Screwdriver
				



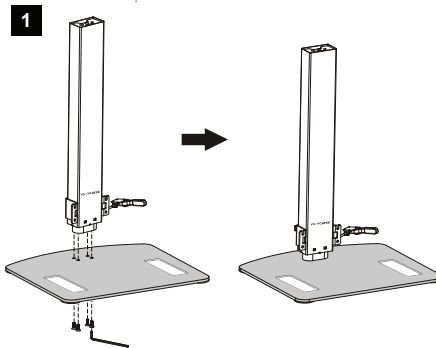
WEIGHT TOLERANCE LEVEL

We recommend a **combined weight** of desk equipment (ie laptop & monitor screen of **5 - 7kg**) for optimal counter-balance. Below 5kg may make the transition between sitting & standing positions more stiff.

The **Maximum weight tolerance** is 7kg.

ASSEMBLY STEP 1

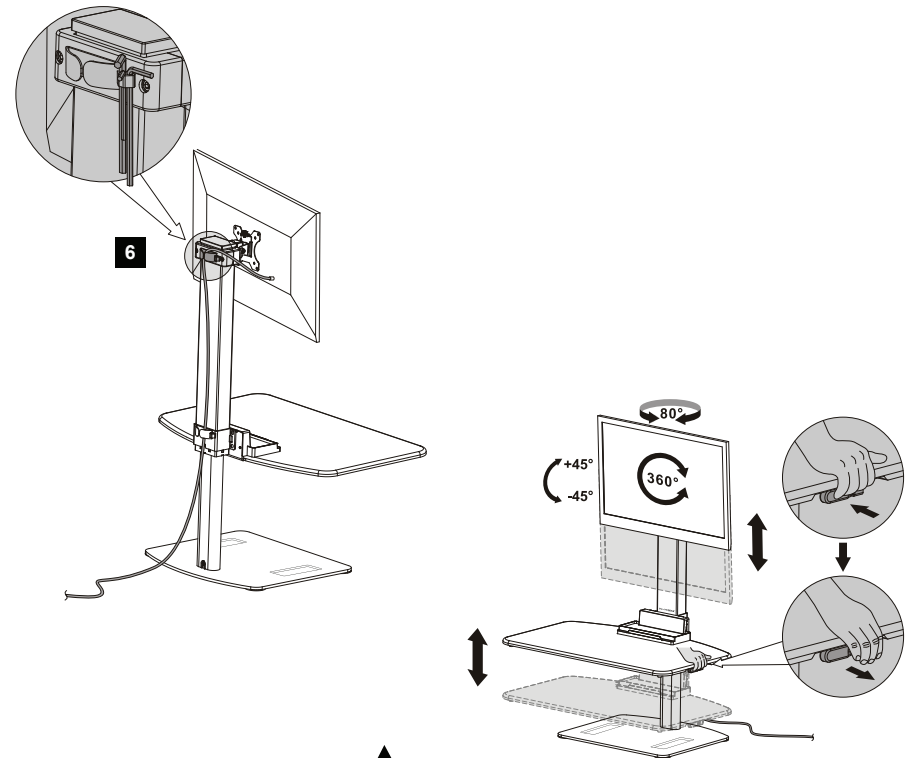
1) Align **Base Plate** with the **Monitor Pole** & then screw them together.



Please place the **Yo-Yo Desk GO** on a surface suitable to hold the entire base of the **Yo-Yo Desk GO** otherwise you may cause damage when operating the **Yo-Yo Desk GO**.

ASSEMBLY STEP 6

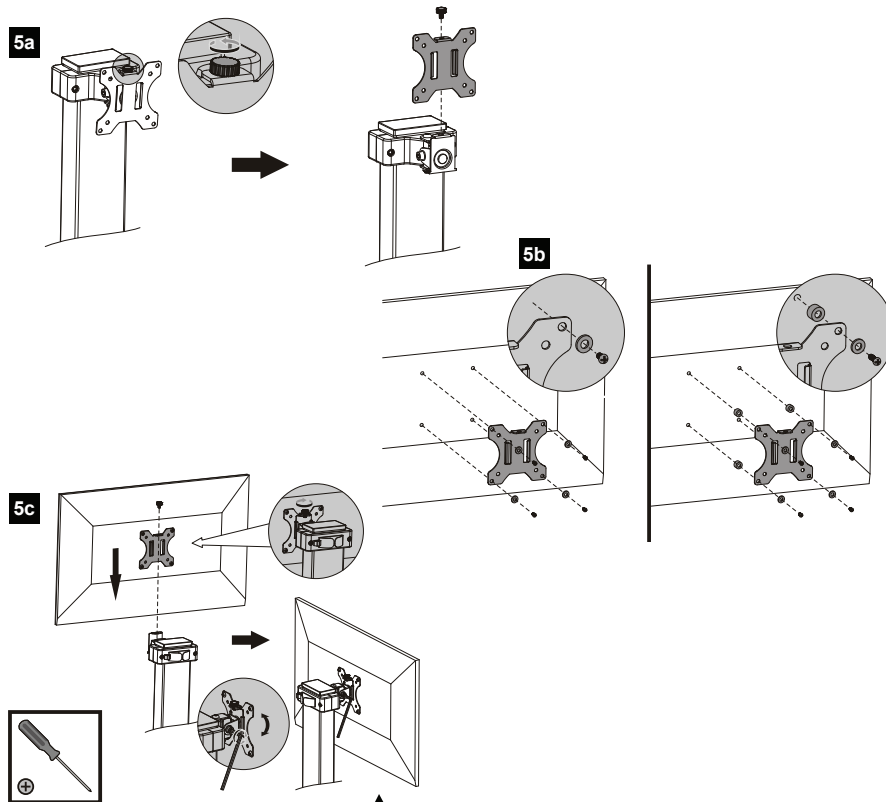
6) To operate, use right hand to push **Up/Down Lever** in & if necessary when moving downwards apply pressure with your **LEFT HAND** to the back of the **Worktop**. Sufficient weight on the **Worktop** should limit the necessity to do this.



Avoid pushing down from the front of the **Worktop**. Always place hand to the back to maintain optimal stability when moving up/down.

ASSEMBLY STEP 5

5a,b & c) Attach the monitor on to the **Monitor Arm**.

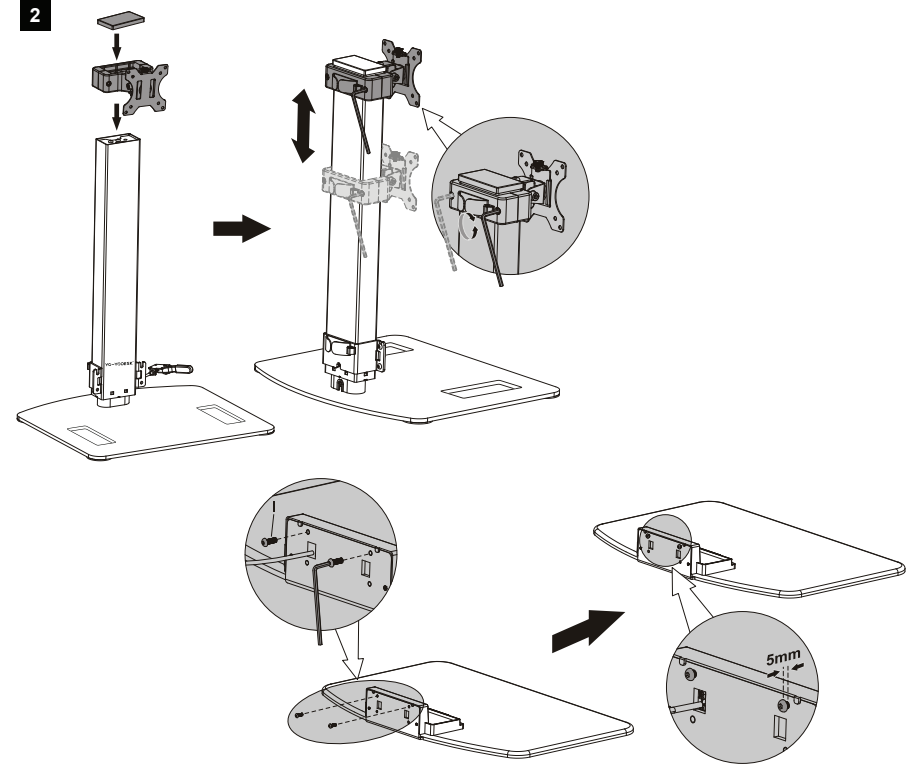


CAUTION

Avoid excessive screwdriver force as this may restrict full swivel, tilt and rotation.

ASSEMBLY STEP 2

- 2) i Fit the **Monitor Arm** over the **Monitor Pole**.
- ii Place the **Top Cap** on top of the **Monitor Pole**.



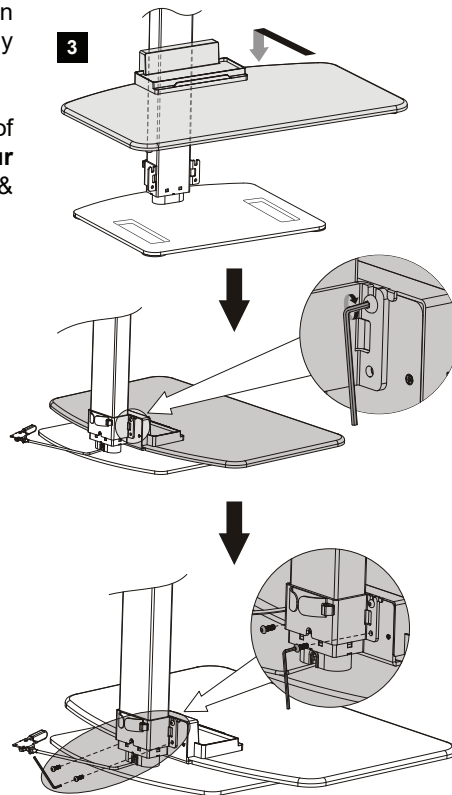
CAUTION

When attaching the **Monitor Arm**, avoid excessive screwdriver force. Excessive force may prevent or restrict the up/down movement of your monitor.

ASSEMBLY STEP 3

3) i Insert the **Four Screws** at the back of the **Worktop**. Screw them in partly, avoid screwing in too tightly to allow some free movement.

ii Place **Worktop** over the bottom of the **Monitor Pole**, aligning the **Four Screws** with the **Monitor Pole**, & then tighten carefully.

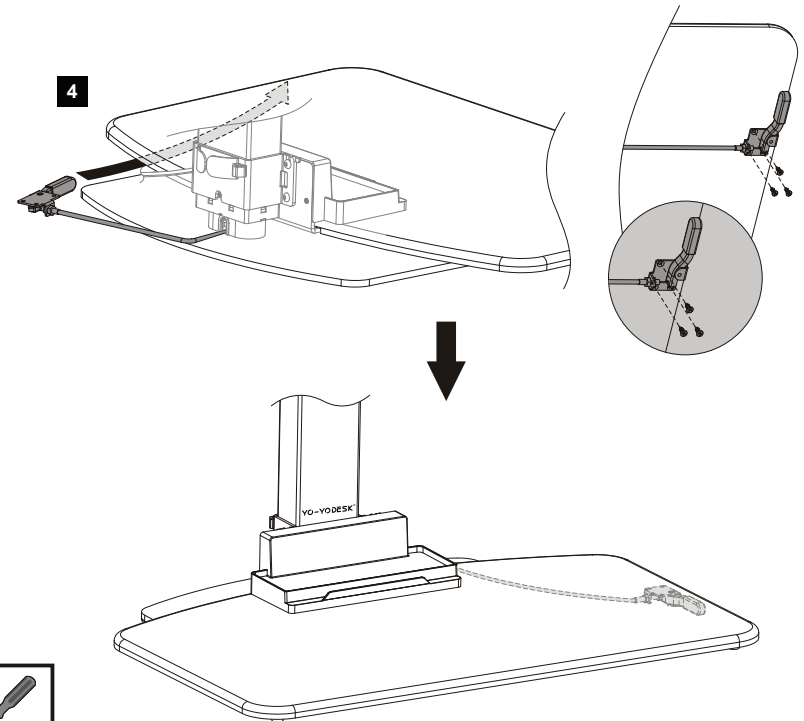


⚠ CAUTION

Please tighten firmly. If not, **Worktop** may drop down when pressure is applied.

ASSEMBLY STEP 4

4) i Screw in the **Up/Down Lever** placing it underneath the **RIGHT SIDE** of the **Worktop**.



⚠ CAUTION

Always test the **Up/Down Lever** by pressing inwards once it has been attached.